

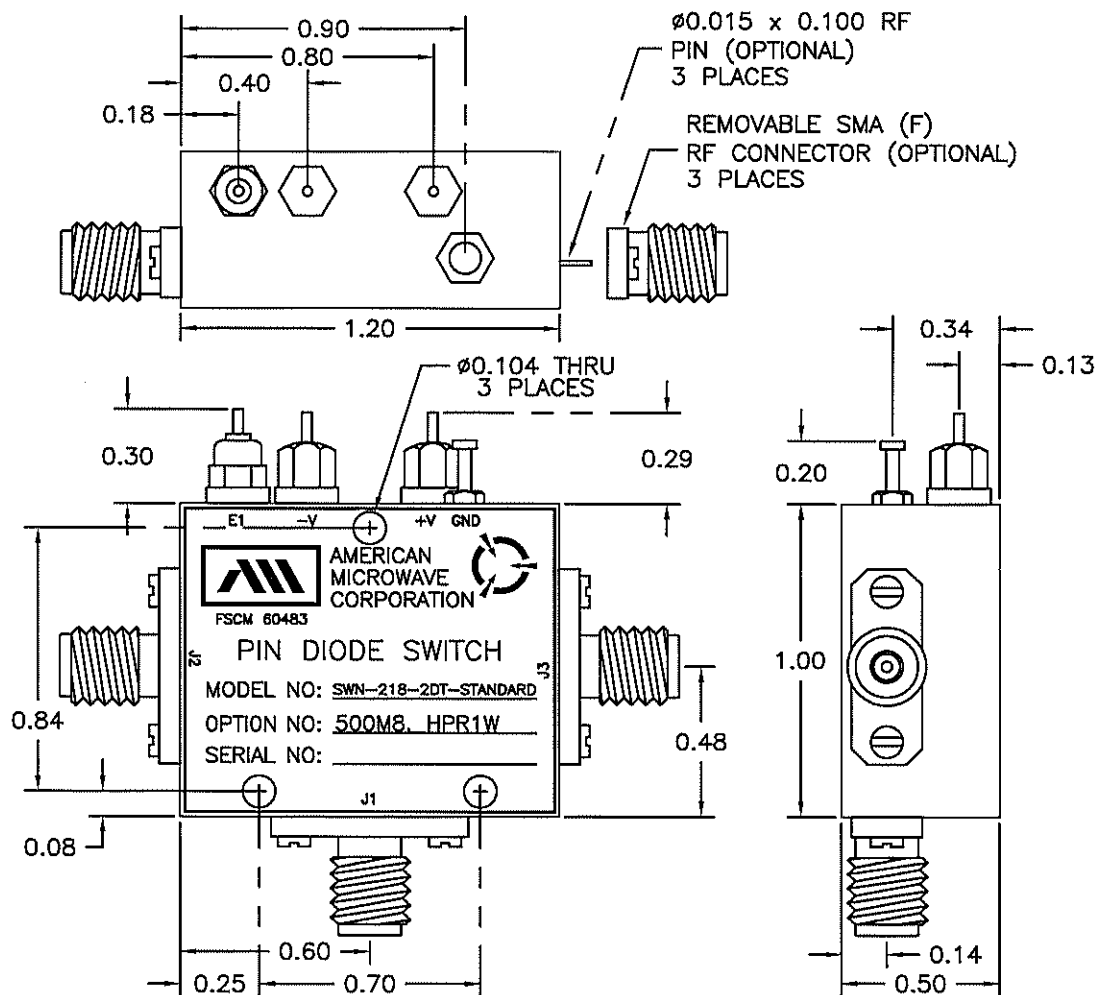
**DESCRIPTION:**

AMC MODEL SWN-218-2DT-STANDARD OPTION: 500M8 & HPR1W IS A SINGLE POLE TWO THROW, HIGH POWER ABSORPTIVE SWITCH MODULE WITH A 3.5dB INSERTION LOSS SPEC & A OPERATING FREQUENCY RANGE FROM 0.5 - 8 GHz.

REVISIONS				
ZONE	REV.	DESCRIPTION	DATE	APPROVED
		ORIGINAL RELEASE, JOB# 801016	2/6/08	

**SPECIFICATIONS:**

- FREQUENCY: . . . . . 0.5 GHz TO 8 GHz
- INSERTION LOSS: . . . . . 3.5dB MAX
- ISOLATION: . . . . . 0.5 GHz TO 2 GHz: 60db  
2 GHz TO 8 GHz: 70db
- VSWR: . . . . . 2.0:1
- SPEED: . . . . . RISE: 10ns TYPICAL, 15ns MAX.  
FALL: 10ns TYPICAL, 15ns MAX.  
DELAY ON: 75ns TYPICAL, 100ns MAX.  
DELAY OFF: 75ns TYPICAL, 100ns MAX.
- POWER INPUT: . . . . . (CW)+20dBm (STANDARD), +10 dBm (HIGH SPEED)
- SURVIVAL POWER: . . . . . HIGH POWER 1 WATT
- SINGLE CONTROL: . . . . . TTL LOGIC "0"= ON (J1-J2)  
TTL LOGIC "1"= ON (J1-J3)
- POWER SUPPLY: . . . . . +5V @ 100 mA MAX.  
-5V @ 100mA MAX.
- OPTION 500M8: . . . . . 0.5 - 8GHz OPERATING FREQUENCY RANGE
- OPTION HPR1W: . . . . . 0.5 - 8GHz OPERATING FREQUENCY RANGE



**ENVIRONMENTAL RATINGS:**

- TEMPERATURE: . . . . . -55°C TO +85°C (OPERATING)  
-65°C TO +125°C (STORAGE)
- HUMIDITY: . . . . . MIL-STD-202F, METHOD 103B COND. B
- SHOCK: . . . . . MIL-STD-202F, METHOD 213B COND. B
- VIBRATION: . . . . . MIL-STD-202F, METHOD 204D COND. B
- ALTITUDE: . . . . . MIL-STD-202F, METHOD 105C COND. B
- TEMPERATURE CYCLE: . . . . . MIL-STD-202F, METHOD 107D COND. A

NOTE: THE ABOVE SPECIFICATIONS ARE SUBJECT TO CHANGE OR REVISION

ALL DIMENSIONS ARE IN INCHES  
TOLERANCES:

- X.XX ±0.020
- X.XXX ±0.010

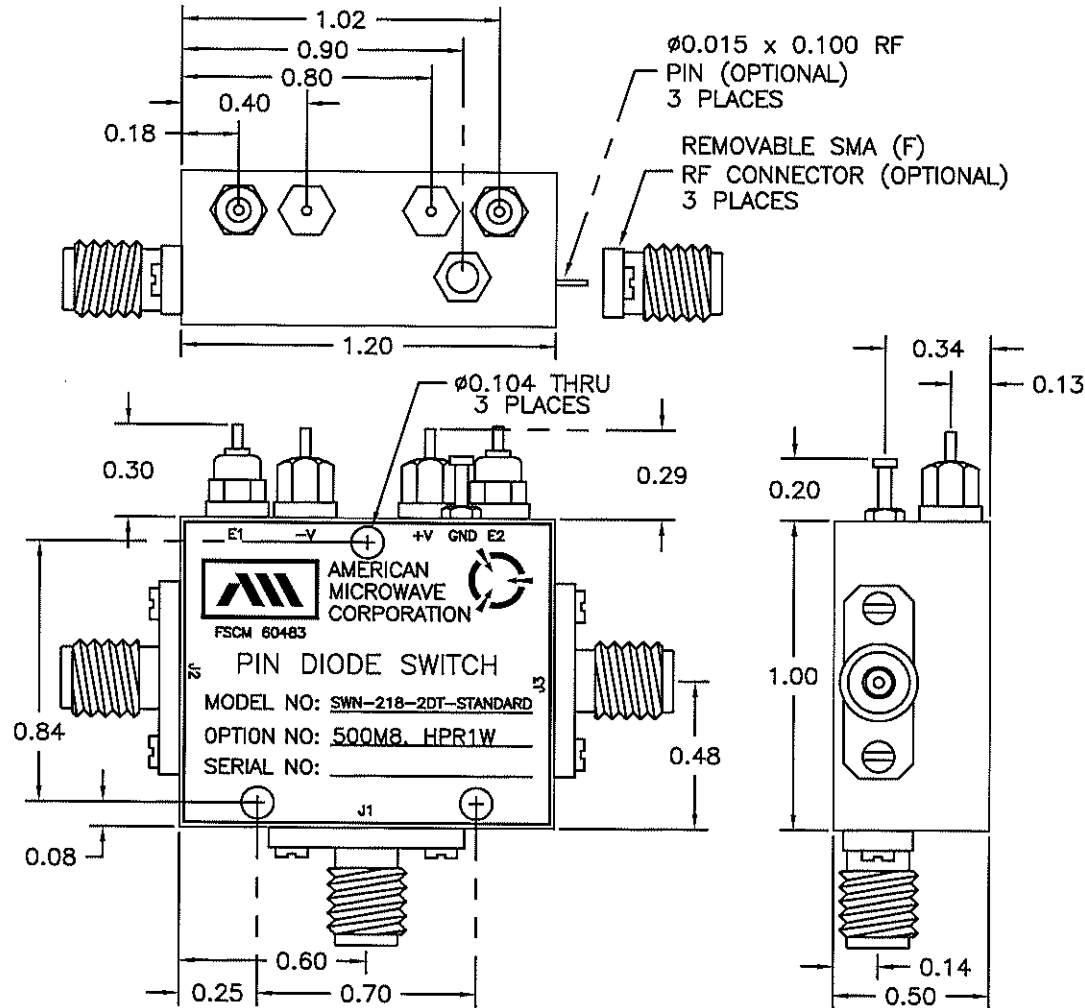
APPROVALS		DATE	AMERICAN MICROWAVE CORPORATION FREDERICK, MARYLAND	
DRAWN		2/6/08	TITLE	
CHECKED		2/8/08	OUTLINE DRAWING	
ISSUED			SWN-218-2DT-STANDARD	
			OPT 500M8, HPR1W	
SIZE	FSCM NO.	DWG NO.	REV.	
A	60483	100-4427-130	-	
SCALE	N/S		SHEET	1 of 2

**DESCRIPTION:**

AMC MODEL SWN-218-2DT-STANDARD OPTION: 500M8 & HPR1W IS A SINGLE POLE TWO THROW, HIGH POWER ABSORPTIVE SWITCH MODULE WITH A 3.5dB INSERTION LOSS SPEC & A OPERATING FREQUENCY RANGE FROM 0.5 - 8 GHz.

REVISIONS				
ZONE	REV.	DESCRIPTION	DATE	APPROVED
		ORIGINAL RELEASE, JOB# 801016	2/6/08	

# MECHANICAL OUTLINE



ALL DIMENSIONS ARE IN INCHES  
 TOLERANCES:

- X.XX  $\pm 0.020$
- X.XXX  $\pm 0.010$

APPROVALS		DATE	AMERICAN MICROWAVE CORPORATION FREDERICK, MARYLAND	
DRAWN	<i>KMS</i>	2/6/08	TITLE MECHANICAL OUTLINE	
CHECKED	<i>LC</i>	2/7/08	SWN-218-2DT-STANDARD OPT 500M8, HPR1W	
ISSUED			SIZE	FSCM NO.
			A	60483
			DWG NO.	100-4427-130
			SCALE	N/S
			SHEET	2 OF 2